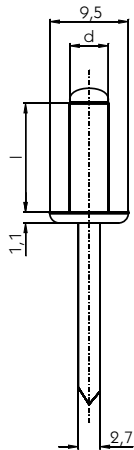
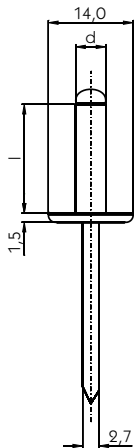


## Blind rivets



Blind rivet 5 mm standard  
DIN 7337 A, aluminium/steel zinc plated.

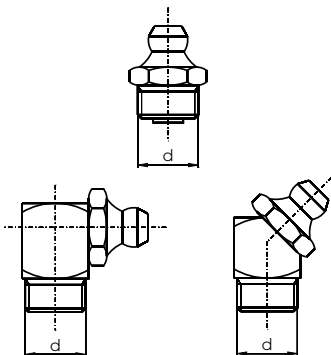
Dim. d x l [mm]	Clamping range [mm]	Qty. [piece]	
5 x 8	2.5 - 5.0	500	978988047
5 x 10	4.5 - 6.5	500	978988048
5 x 12	6.0 - 8.0	500	978988049
5 x 14	7.5 - 10.0	500	978988050
5 x 16	9.5 - 12.0	500	978988051
5 x 18	11.5 - 13.5	500	978988052
5 x 20	13.0 - 15.5	250	978988053
5 x 25	17.0 - 20.5	250	978988054
5 x 30	22.5 - 25.0	100	978988056
5 x 35	24.5 - 30.0	100	978988057
5 x 40	29.5 - 35.0	100	978988058
5 x 45	34.5 - 40.0	100	978988059



Blind rivet 5 mm large flange  
Similar DIN 7337 A, aluminium/steel zinc plated.

Dim. d x l [mm]	Clamping range [mm]	Qty. [piece]	
5 x 8	2.0 - 5.0	250	978988075
5 x 10	4.5 - 6.5	250	978988076
5 x 12	6.0 - 8.0	250	978988077
5 x 14	7.5 - 10.0	250	978988078
5 x 16	9.5 - 12.0	250	978988079
5 x 18	11.5 - 13.5	250	978988080
5 x 20	13.0 - 15.5	250	978988081
5 x 25	15.0 - 20.5	250	978988082
5 x 30	20.0 - 25.0	100	978988084

## Grease nipples



Lubricating Nipples -  
Hydraulic Type  
DIN 71412 - AM8 x 1, zinc plated.

Type	Dim. d [mm]	Qty. [piece]	
H1 straight	M6 x 1	50	225551078
H1 straight	M8 x 1	50	225551079
H1 straight	M10 x 1	50	225551080
H2 45°	M10 x 1	50	225551083
H3 90°	M6 x 1	50	225551081