

PWP Door System

The tailor-made door system

 PWP SA





System

door systems
working assembly
vehicle industry.
solution solutions.

Customer Service

A well-established customer service sector is of great help particularly for users of commercial vehicle components. Specialised technical assistance, an understanding, awareness and realisation of customer needs and reliable supply and delivery are taken for granted at PWP. Thanks to many years of experience and a large pool of know-how, PWP finds optimal solutions in all areas. For you too!



PWP SA
CH - PAYERNE

Für diese Zeichnung behalten wir uns alle Rechte vor.
Pour ce dessin nous nous gardons tous les droits. T
We reserve all rights for this drawing. The drawing

Sheet:	05.01.20
Case:	
Here:	
Tel:	026
Fax:	026

At: also to post sales about 10.00.01 1001
Zust: Änderung Datum Name



PWP Door Sys

PWP supplies tailor-made
 and is renowned for innovative and forward-looking
 components for the commercial vehicle
 PWP is your partner for simple construction



Rear and Side Doors

Wall thicknesses: 20, 25 and 30 mm
 Door-fill material: aluminium hollow frames or sandwich boards
 Supply: ready mounted or in components



Sliding door

The mono-rail system is suitable for all types of commercial vehicle.



BOXER lock

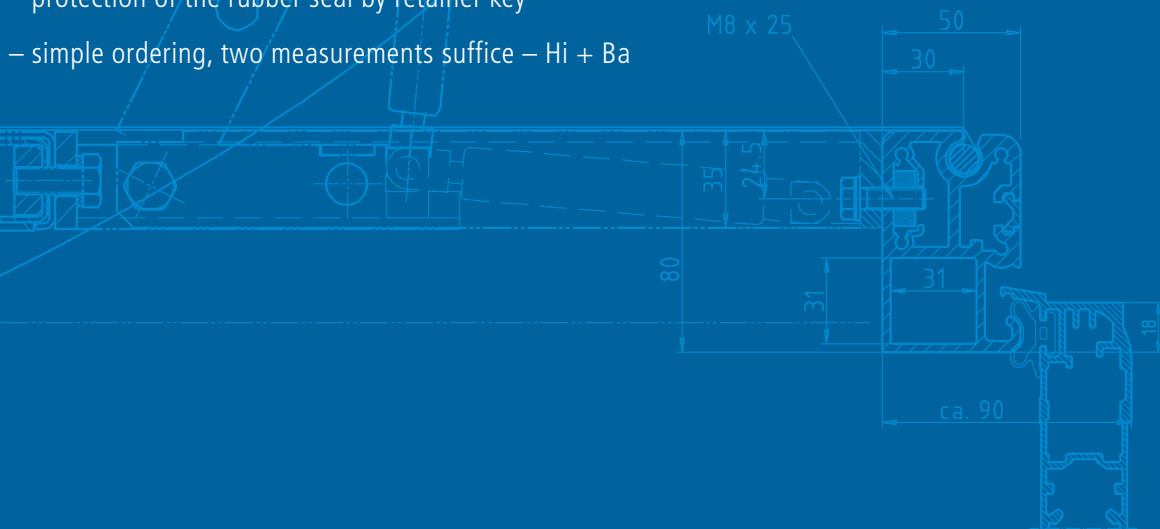
The patented lock that really can be operated with one hand.

System

door systems
working assembly
vehicle industry.
solution solutions.

Advantages:

- surface-mounted door construction for 1 to 6 wings
- combinable aluminium frame-profile for casement bolt with revolving rods and hinge
- profile-integrated hinge and bolt system for 20,25 and 30mm wall thickness
- door-fill material: aluminium hollow frame or sandwich boards
- free choice of assembly position: integrated in door surface or below door wing
- robust guide for the middle bolt – invisible from the outside
- patented double-jointed hinge – swivelling 270 degrees
- steered hinge axles
- precise opening and closing due to continuous hinge axle
- maintenance-free hinge bearing
- continuous rubber seal in hinge
- protection of the rubber seal by retainer key
- simple ordering, two measurements suffice – Hi + Ba



Door system CONTACT

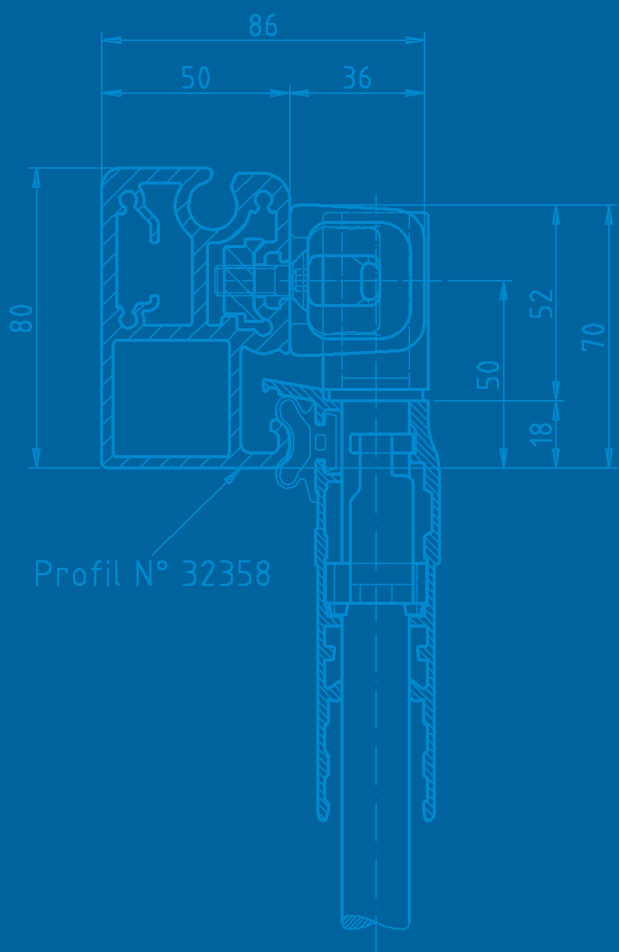
The PWP door sealing system guarantees a dry loading space.



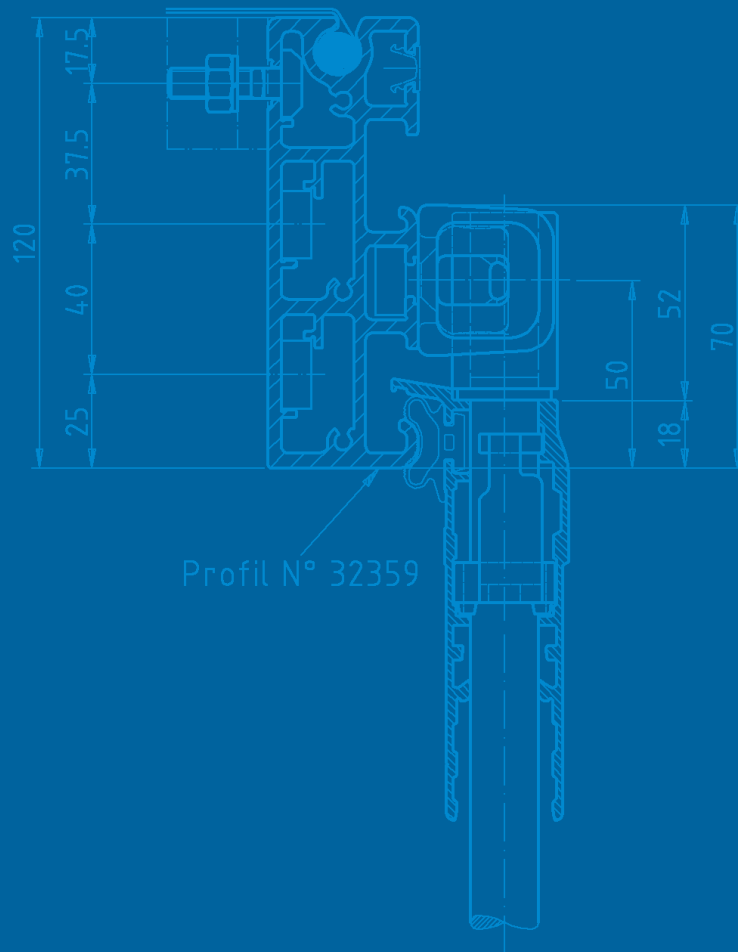
Front panel and aluminium uprights

The optimal solution for a rapid, secure and water-tight awning assembly.





Profil N° 32358



Profil N° 32359



The renowned aluminium flatbed bodies
from PWP in building block system. Can also be supplied as tipper.

Cross section of the PWP range



PWP Ltd. is a Swiss leader in the supply of body-work components and aluminium systems for commercial vehicles. The product range, developed and produced by PWP, is complemented – due to international contacts – by renowned general distributors.

The PWP programme consists of around 4000 articles including chassis components, bridge elements, awning frames, roller shutters, box bodies, structural components for aluminium bridges and lorry accessories.

PWP responds to market needs by providing innovative ideas and constructions: the extensive product range is always state-of-the-art. Many possibilities are available for special designs. Foremost on our list of priorities is top achievement in advice and customer care. Our on-going development aim is to ensure and maintain the quality and reliability of all PWP products.



CH-1530 Payerne/Switzerland
Tel. ++41 26 662 71 11, Fax ++41 26 662 75 40
E-Mail office@pwp-sa.ch
www.pwp-sa.ch