

# PWP Aluminium- Trailer Kit

The tailor-made kit

 PWP SA

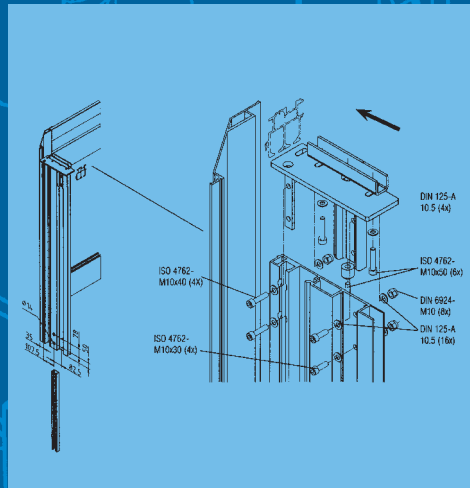


# Trailer Kit

Pre-made assembly kits  
Standard-looking components  
Commercial vehicle industry.  
Construction solutions.

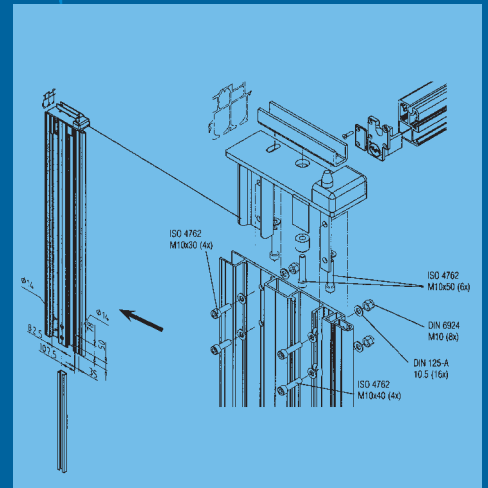


All the components of the aluminium- upright - kits have been produced to the highest precision level applying state-of-the-art technology and manual quality control. Due to this control we guarantee the supply of perfect products.



The PWP-kit consists of

- front panel with aluminium uprights – anodized
- rear panel with aluminium uprights – anodized
- lift-up tailgate system CONTACT
- assembly set for sliding cover panel



**Easy  
Assembly!**

# PWP Aluminium-Tr

PWP supplies tail  
and is renowned for its innovative and forward  
for the comm  
PWP is your partner for simple



## Door system CONTACT

The PWP door sealing system guarantees a dry loading space.



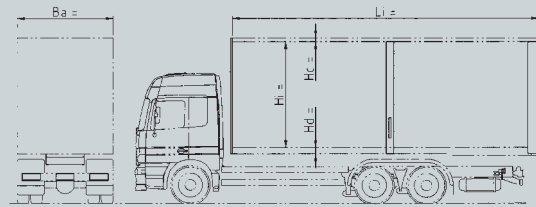
## Front panel and aluminium uprights

The optimal solution for a rapid, secure and watertight awning assembly.



# Trailer Kit

Pre-made assembly kits  
Standard-looking components  
Commercial vehicle industry.  
Construction solutions.



Höhe innen (Mass von OK-Boden bis UK-Curtain Sider)  
Hauteur intérieure (Dimension arrête sup. plancher - arrête int. toit) Hi = \_\_\_\_\_ mm

Breite aussen  
Largeur extérieure Ba = \_\_\_\_\_ mm

## Simple solutions

All we need are the two measurements  
Hi + Ba and we can go ahead and supply  
the complete Aluminium-Trailer Kit.









PWP Ltd. is a Swiss leader in the supply of body-work components and aluminium systems for commercial vehicles. The product range – developed and produced by PWP – is complemented – due to international contacts – by renowned general distributors.

The PWP programme consists of around 4000 articles including chassis components, bridge elements, awning frames, roller shutters, box bodies, structural components for aluminium bridges and lorry accessories.

PWP responds to market needs by providing innovative ideas and constructions: the extensive product range is always state-of-the-art. Many possibilities are available for special designs. Foremost on our list of priorities is top achievement in advice and customer care. Our on-going development aim is to ensure and maintain the quality and reliability of all PWP products.



CH-1530 Payerne/Switzerland  
Tel. ++41 26 662 71 11, Fax ++41 26 662 75 40  
E-Mail [office@pwp-sa.ch](mailto:office@pwp-sa.ch)  
[www.pwp-sa.ch](http://www.pwp-sa.ch)