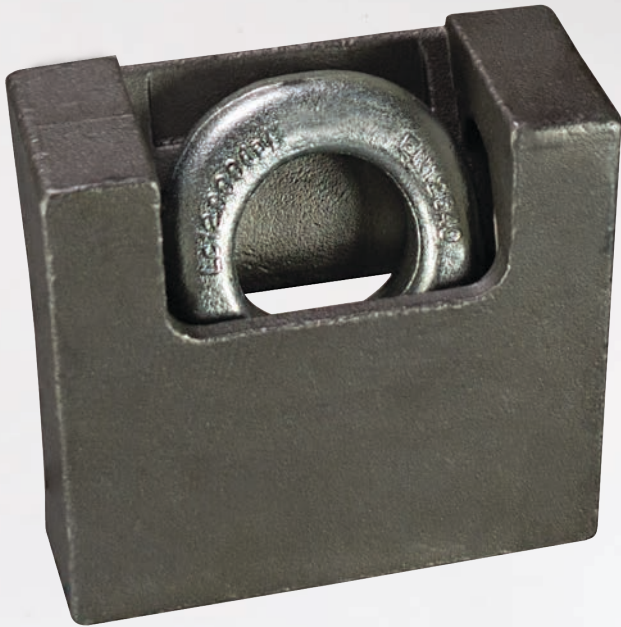
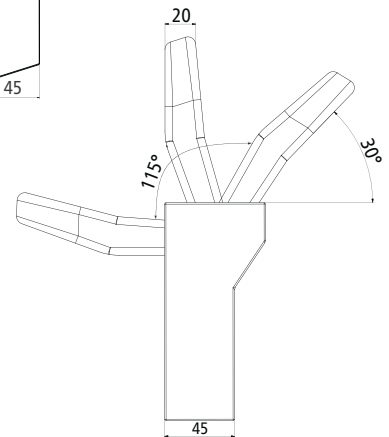
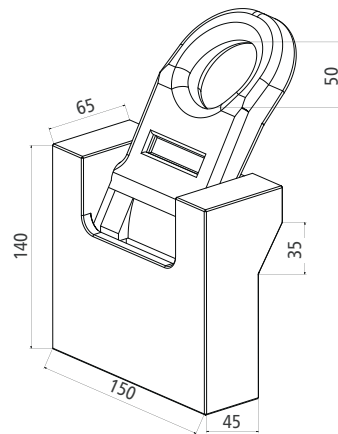


12 tons lashing ring 295161274



- For special transport trucks and trailers
- Ergonomic and safe handling
- Self-standing ring, when extracted
- Allows secure hooking of chains
- Easy disassembly by removing the retaining clip
- Body self colour, galvanized ring
- Weight 4,61 kg
- LC 12000 daN
- Certified to DIN EN12640



Suer Nutzfahrzeugtechnik GmbH & Co. KG
Handelsstr. 5, 42929 Wermelskirchen

Phone: +49 2196 946-0, Fax: +49 2196 946-100
E-Mail: info@suer.de

www.suer.de, www.fahrzeugbau-shop.de

