



Recessed folding tread plate plate 215131222

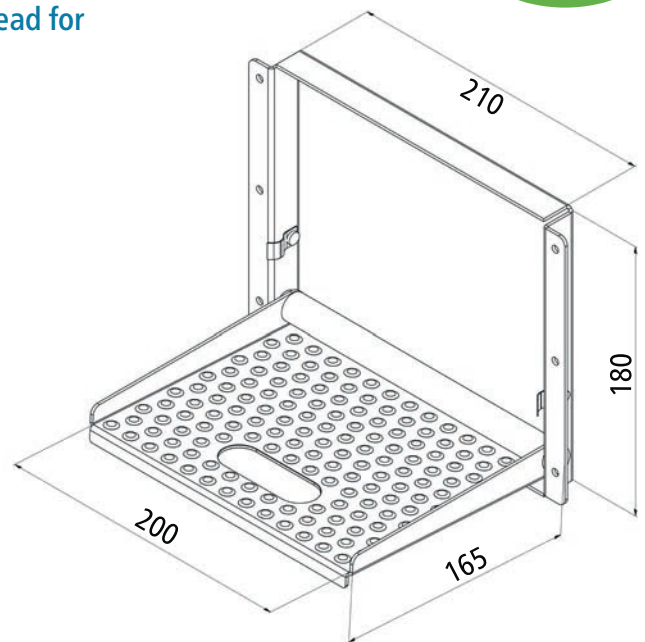


Recessed folding tread plate for 25/30/40 mm aluminium side board profiles

Individual application with grooved and anti-slip step tread for
a safe climb onto the loading area.



-  Galvanized steel
-  Weight: 1,3 Kg
-  Step tread 200 x 150 mm (width x depth)
-  Secured by two lateral holding springs
in folded condition.
-  Safe tread according to DGUV regulation 70
- published from the German BGW.
-  Mounting holes alternatively for pop
rivets or screws.



Suer Nutzfahrzeugtechnik GmbH & Co. KG
Handelsstr. 5, 42929 Wermelskirchen

Phone.: +49 2196 946-0, Fax: +49 2196 946-100
E-Mail: info@suer.de

www.suer.de, www.fahrzeugbau-shop.de

