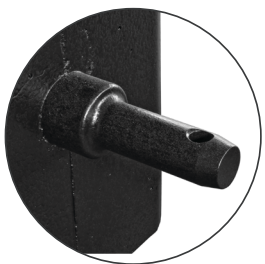


Suer reinforced concrete weight generation 2010 SB

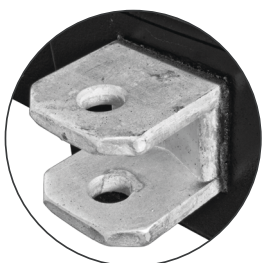
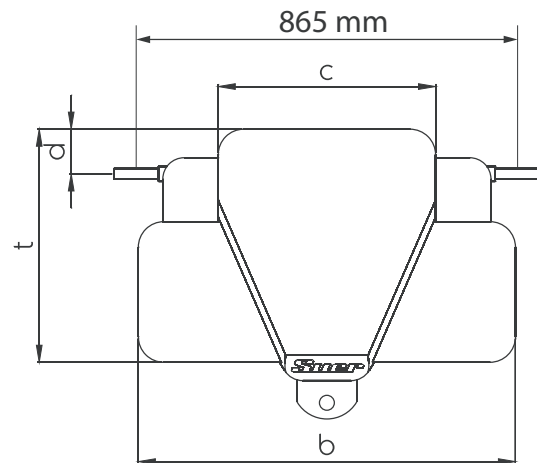


- low construction height:
large ground clearance and no hide of headlights
- minor overall depth:
no higher turning radius
- with reflectors:
in front in white & sidelong in orange
- top link pin, shunting coupling + lower link pin galvanised ST-52
- freight costs:
individual order 50,00 € /
from 2 pieces free delivery;
carriage amount 16,00 €
- price on request
- 2 - 3 weeks delivery time

cat. 2, with shunting coupling and bolts for front/rear mounting.



colour design without additional cost:



size (kg)	measure b (mm)	measuer c (mm)	measure d (mm)	measure t (mm)	middle of lower link (to the tractor) (to the bottom)		article number
SB 400	680	560	135	520	480	185	852301000
SB 700	1060	620	110	590	640	310	852302000
SB 1000	1350	650	110	680	640	310	852303000
SB 1300	1480	660	110	680	740	350	852304000
SB 1600	1480	660	110	800	740	350	852305000

Suer Nutzfahrzeugtechnik GmbH & Co. KG
Handelsstr. 5, 42929 Wermelskirchen

Tel.: 02196 946-0, Fax: 02196 946-100
E-Mail: info@suer.de

www.suer.de, www.fahrzeugbau-shop.de

