

Premium holder for vehicle side guards



Available in the following versions:

410 mm

380561746

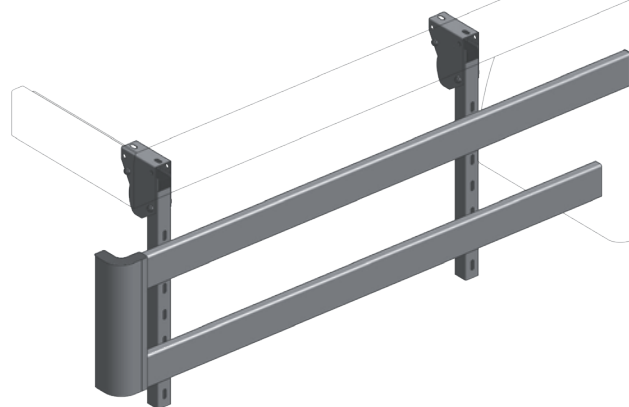
710 mm

380561744

More lengths on request!

* Surface alloy composed of zinc, 3.5 % aluminium and 3 % magnesium - the convincing alternative to batch galvanizing, aluminium and stainless steel

- 10 times more effective corrosion protection than galvanized steel
- Zinc spangle free, aesthetically uniform appearance
- Environment friendly
- Self-repairing protection for cutting edges



- High corrosion protection thanks to novel surface alloy*
- Corrosion classification 2 nach DIN 55928-8:1994-07
- Spray fog test: 2000 hours
- KBA type approval **E1** 73R-010082
- U-bar in the holder adjustable in 8 positions (Dim. $\alpha \approx 35^\circ, 55^\circ, 65^\circ, 75^\circ, 85^\circ, 95^\circ$ and 105°)
- With splint and screw from stainless steel

