

Blueline CS centre pillar aluminium



*Approx. 40%
lighter than
comparable steel
CS centre pillars!*



CS centre pillar aluminium

The new pillar system Blueline bases on a simple modular conception where all accessories are screwed or riveted on the pillar.

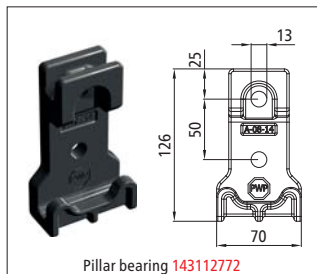
Designation

CS centre pillar aluminium, weight 11.92 kg	143112788
Pillar bearing, weight 0,69 kg	143112772
Screw set for pillar bearing	670910077

Certified to DIN EN 12642 XL

The Blueline CS centre pillar aluminium is certified to DEKRA qualification profile in connection with DIN EN 12642 Code XL. Certificate 313/32100/702073/1818604823-2.

The pillar reached a max. centre point load of 6.16 kN during the test. This equals a payload of 80 kN/8 t at a centre pillar by certified bodyworks. An excellent value, in this material combination – aluminium pillar body with steel locking mechanism – unparalleled.



Pillar bearing **143112772**



Trolley for cant rails Standard + Volumen



Trolley for cant rail Universal Classic



T-Lock curtain pocket **143112793**

Blueline Accessories for CS centre pillar



Trolleys

There are a lot of trolley options for the Blueline CS centre pillar:
Simply combine the roller plate with the support plate/roller plate guide and the adapter rail.

Max. achievable side loading height (internal clear length):
CS centre pillar + trolley straight (③/④).....2821 mm
CS centre pillar + trolley offset (⑤).....3000 mm

Roller plates

Fitting for the mentioned cant rails, steel parts zinc coated.

Item	Designation	For cant rail	Weight [kg]	
1	Roller plate with steel roller	②, ③	0.51	670305025
2	Roller plate with plastic roller	①	0.66	670305024

Support plates/Roller plate guide

Fitting for the mentioned cant rails, zinc coated steel.

Item	Designation	For cant rail	Weight [kg]	
3	Support plate 30 mm	③	0.38	143112757
4	Support plate 50 mm	②	0.54	143112747
5	Roller plate guide	①	1.84	143112763

Adapter rail

Item 6, zinc coated steel, weight 0.27 kg.

143112764

→ The adapter rail connects pillar with support plate/roller plate guide.

Assembly kit

Without illustration.

Screws and rivet bolts for mounting the trolley components among each other and the trolley on the BlueLine CS centre pillar.

143112750

Curtain pocket T-Lock/Depot

Zinc coated steel.

→ T-Lock is the new positive-fit load securing system for the aluminium trailer kit to DIN EN 12642 XL. The T-Lock hook is fixed in the side plank and matches into the T-Lock insert pocket **143112793**. In future a reinforced tarpaulin can be replaced by a weathering tarpaulin in certified body-works with T-Lock.

Item	Designation	Height [mm]	Weight [kg]	
7	Curtain pocket T-Lock	110	0.27	143112793
8	Depot	470	0.92	143112792

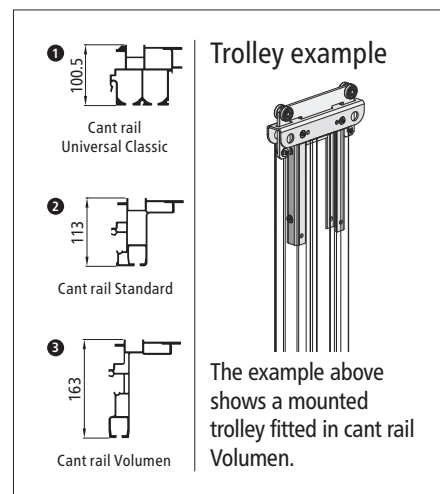
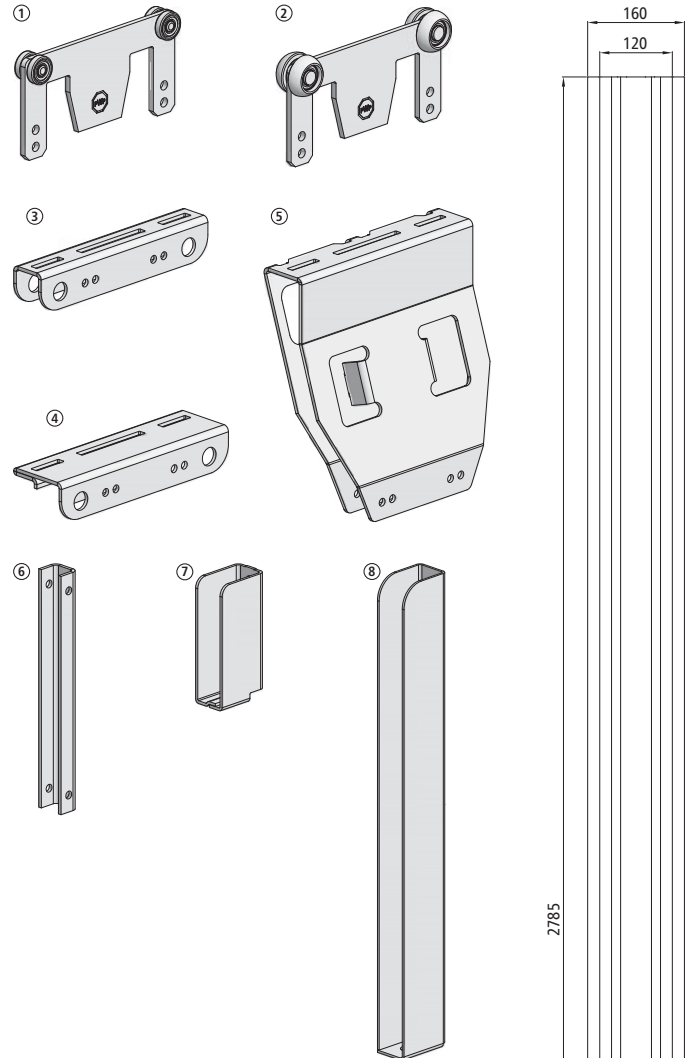


Illustration with pillar bearing 143112772.

- On request the trolleys can be delivered completely mounted. Please ask your sales manager.
- Further information regarding the Blueline CS centre pillar and T-Lock can be found in the catalogue **Suer in Focus 2017**.

Suer Nutzfahrzeugtechnik GmbH & Co. KG
Handelsstrasse 5, 42929 Wermelskirchen
Phone: +49 (0)2196 946-0, Fax: +49 (0)2196 946-100
E-Mail: info@suer.de
www.suer.de, www.fahrzeugbau-shop.de

