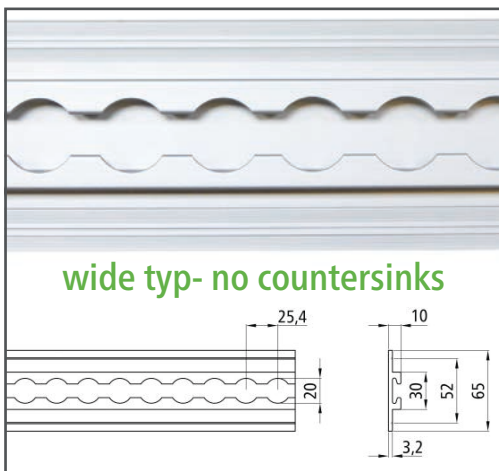
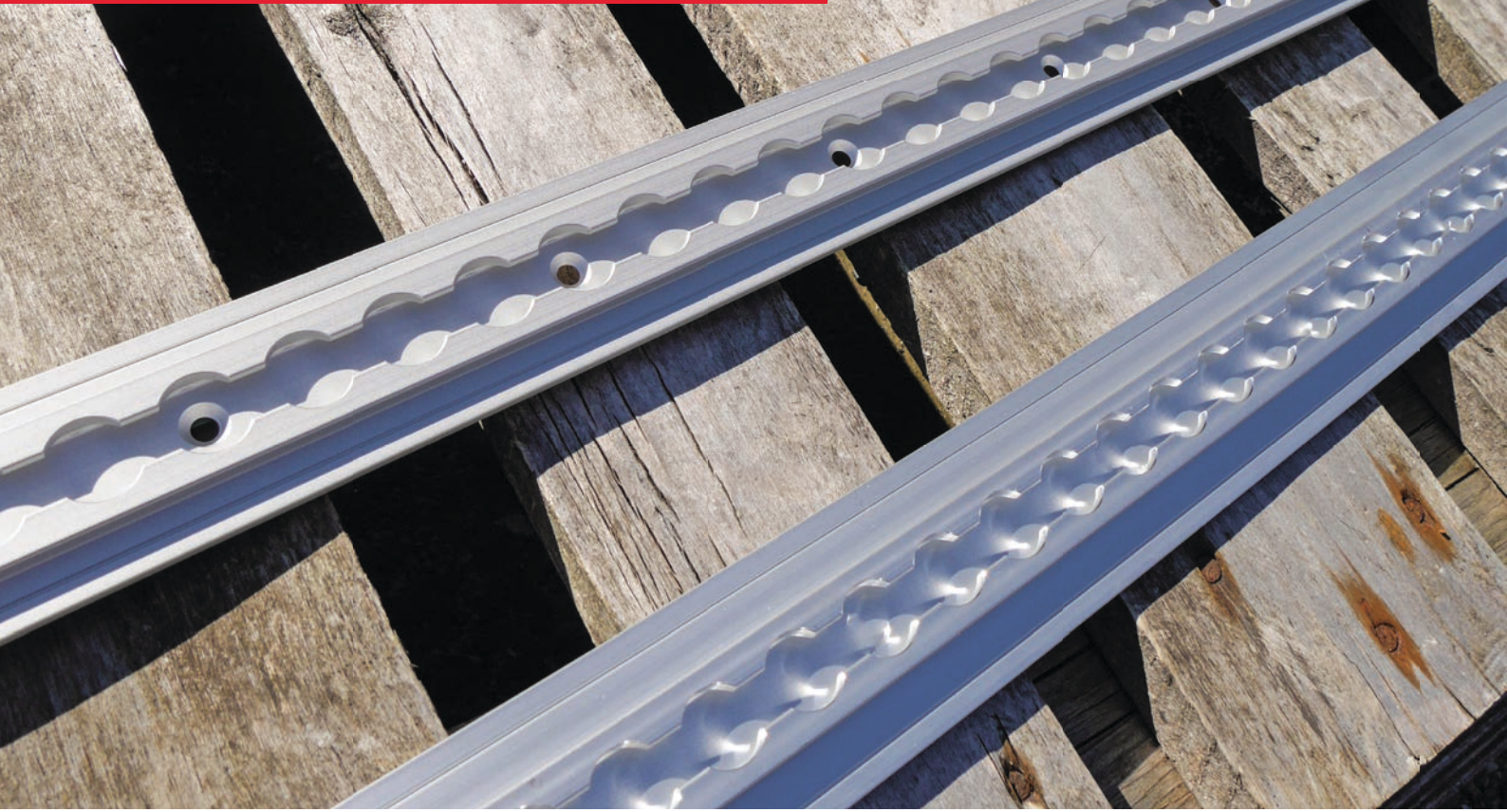
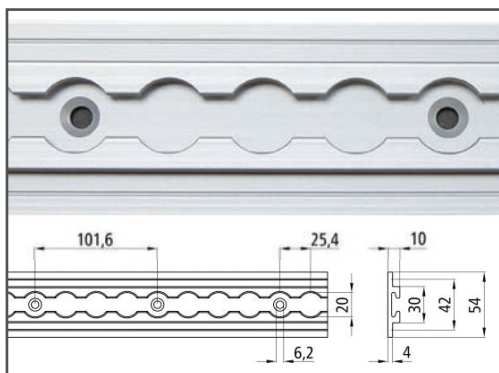


S-Line Airline anchor tracks "wings downwards"



142138788 - 4009-AL



142138712 - 4008-AL

S-Line Airline anchor tracks
type "wings downwards",
2997 mm long, hole \varnothing 20 mm, raster: 25.4 mm,
BLC $\nless 90^\circ$, $\nless 45^\circ$: 1000 daN with endfitting 571,
anodized aluminum

Built area:

Floor, ceiling, wall horizontally and vertically

Compatible with:

Kombizapfen \varnothing 19/24 mm, all major airline end fittings, linkage loading beam **142138510**

Types:



142138788

4009-AL, 65 mm wide, no countersinks

142138712

4008-AL, 54 mm wide, countersinks every 101.6 mm

Suer Nutzfahrzeugtechnik GmbH & Co. KG
Handelsstr. 5, 42929 Wermelskirchen

Tel.: 02196 946-0, Fax: 02196 946-100

E-Mail: info@suer.de

www.suer.de, www.fahrzeugbau-shop.de

